

# CB15118A-V00RS

## Critical Conduction Mode(CRM) Interleave Boost Reactor

Rev. A  
Sep 8, 2011

### Features

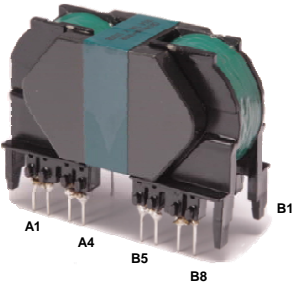
- CRM interleave 2 Boost Inductors In 1 Reactor
- High Efficiency, Especially Over Light Load
- '2 in 1' Integrated Magnetic Inductors
- Silence Solution
- Core Vertical Assembly, Reducing PCB Space
- Compact Size
- Competitive Cost

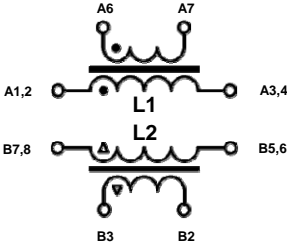
### Typical Application

- 1KW CRM PFC for 100Vac HID Application

Input Voltage	90~130Vac
Output Voltage	390V
Operating Frequency	40KHz
Output Power	More Than <b>1000W</b>
Power Factor	More Than <b>0.99</b>
Cooling Condition	Natural Cooling, No Fan

### Outline





**Pin Number Definition**

L1	Np	A1,2	-----	A3,4
	Ns	A6	-----	A7

L2	Np	B7,8	-----	B5,6
	Ns	B3	-----	B2

### L-I Characteristics (As Reference)

